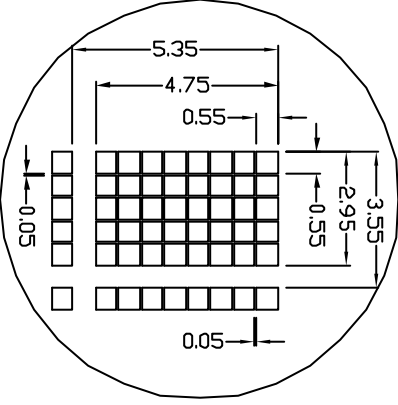
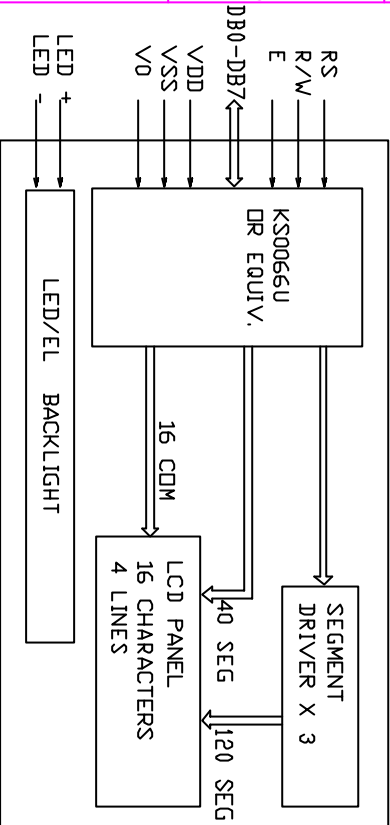


\* FOR LED BACKLIGHT T1=14.0MAX T2=9.0±0.3  
 \* FOR EL OR NO BACKLIGHT T1=10.0MAX T2=5.0±0.3



NT-C1641A

16 CHARACTERS X 4 LINES

NELY, YOUR SUPPLIER, AND YOUR PARTNER!



ALL DIMENSIONS ARE IN MM. TOLERANCE IS +/-0.2 UNLESS OTHERWISE NOTED.

REVISIONS

NO.	DATE	BY	DESCRIPTION
1	01/06/18	ACh	NEW RELEASE

PINS ASSIGNMENT

NO.	SYMBOL	DESCRIPTION
1	VSS	POWER SUPPLY
2	VDD	POWER SUPPLY
3	V0	OPERATING VOLTAGE FOR LCD
4	RS	DATA/INSTRUCTION SELECT
5	R/W	READ/WRITE CONTROL
6	E	ENABLE SIGNAL
7-14	DB0-DB7	DATA BUS
15	LED +	POWER SUPPLY FOR LED BACKLIGHT (+)
16	LED -	POWER SUPPLY FOR LED BACKLIGHT (-)

ABSOLUTE MAXIMUM RATING

ITEM	SYMBOL	MIN	MAX	UNIT
POWER SUPPLY (LOGIC)	VDD-VSS	-0.3	7.0	V
POWER SUPPLY (LCD DRV.)	VDD-V0	-0.3	13.5	V
INPUT VOLTAGE	VI	-0.3	VDD	V

ELECTRICAL CHARACTERISTICS (VDD=5.0±0.25V, 25°C)

ITEM	SYMBOL	MIN	TYP	MAX	UNIT
VOLTAGE FOR LOGIC	VDD-VSS	4.75	5.0	5.25	V
SUPPLY CURRENT	IDD	-	2.0	3.0	mA
VOLTAGE FOR LCD	VDD-V0	-	4.6	-	V
INPUT VOLTAGE	VIH	2.2	-	VDD	V
	VIL	-0.3	-	0.6	V
OUTPUT VOLTAGE	VOH	2.4	-	-	V
	VOL	-	-	0.4	V

MECHANICAL SPECIFICATIONS

ITEM	SPECIFICATION	UNIT
OVERALL SIZE	87.0W x 60.0H x 14.0T(10.0T)	MM
VIEWING AREA	62.0W x 25.6H	MM
CHARACTERS	16 CHARACTERS x 4 LINES	MM
CHARACTER SIZE	2.95W x 4.75H	MM
CHARACTER PITCH	3.55W x 5.35H	MM

CONDITIONS

- LCD TYPE: Y/G STN/ GRAY STN/ TN
- BACKLIGHT: WITHOUT BACKLIGHT/ LED/ EL
- COLOR OF BACKLIGHT: Y/G/ BLUE/ WHITE
- TEMPERATURE RANGE: ND(RMAL:0-50°C) EXTENDED:-20--70°C
- POWER SUPPLY: 5.0V/ 3.0V
- VIEWING ANGLE: 6H/ 12H
- CHARACTER TABLE: JAPANESE/ EUROPEAN/ CYRILLIC