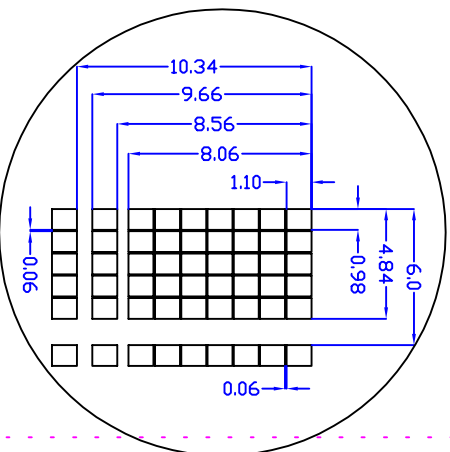
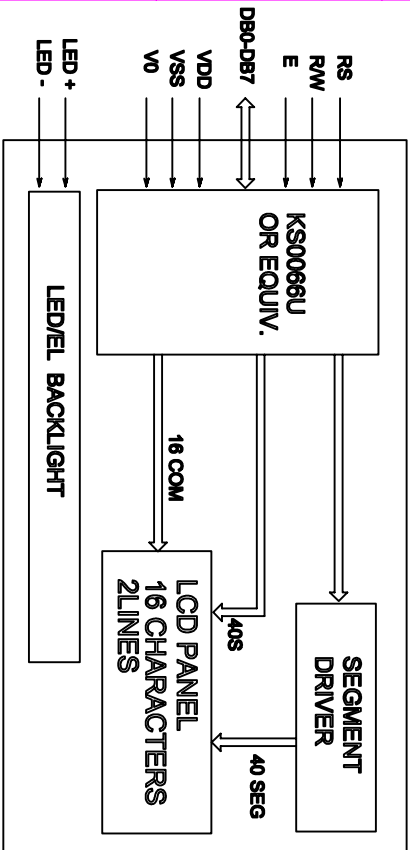


* FOR LED BACKLIGHT
 T1=14.0MAX T2=9.0±0.3
 * FOR EL OR ND BACKLIGHT
 T1=10.0MAX T2=5.0±0.3



PINS ASSIGNMENT

NO.	SYMBOL	DESCRIPTION
1	VSS	POWER SUPPLY
2	VDD	POWER SUPPLY
3	V0	OPERATING VOLTAGE FOR LCD
4	RS	DATA/INSTRUCTION SELECT
5	R/W	READ/WRITE CONTROL
6	E	ENABLE SIGNAL
7--14	DB0--DB7	DATA BUS
15	LED +	POWER SUPPLY FOR LED BACKLIGHT (+)
16	LED -	POWER SUPPLY FOR LED BACKLIGHT (-)

ABSOLUTE MAXIMUM RATING

ITEM	SYMBOL	MIN	MAX	UNIT
POWER SUPPLY(VDD)	VDD-VSS	-0.3	7.0	V
POWER SUPPLY(LCD DRV)	VDD-V0	-0.3	13.5	V
INPUT VOLTAGE	V _I	-0.3	VDD	V

ELECTRICAL CHARACTERISTICS (VDD=5.0±0.25V, 25°C)

ITEM	SYMBOL	MIN	TYP	MAX	UNIT
VOLTAGE FOR LOGIC	VDD-VSS	4.75	5.0	5.25	V
SUPPLY CURRENT	IDD	-	1.3	2.2	mA
VOLTAGE FOR LCD	VDD-V0	4.7	4.9	5.1	V
INPUT VOLTAGE	V _{IH}	2.2	-	VDD	V
	V _{IL}	-0.3	-	0.6	V
OUTPUT VOLTAGE	V _{OH}	2.4	-	-	V
	V _{OL}	-	-	0.4	V

MECHANICAL SPECIFICATIONS

ITEM	SPECIFICATION	UNIT
OVERALL SIZE	122.0W x 44.0H x 14.0T(±0.0T)	MM
VIEWING AREA	99.0W x 24.0H	MM
CHARACTERS	16 CHARACTERS x 2 LINES	MM
CHARACTER SIZE	4.84W x 9.66H	MM
CHARACTER PITCH	6.0W x 10.34H	MM

OPTIONS

- LCD TYPE: 1/6 STN, GRAY STN, TN
- BACKLIGHT: WITHOUT BACKLIGHT, LED, EL
- COLOR OF BACKLIGHT: Y/G, BLUE, WHITE
- TEMPERATURE RANGE: NDPMAL(0--50C) EXTENDED(-20--70C)
- POWER SUPPLY: 5.0V, 3.0V
- VIEWING ANGLE: 6H, 12H
- CHARACTER TABLE: JAPANESE, EUROPEAN, CYRILLIC

REVISIONS

NO.	DATE	BY	DESCRIPTION
1	02/03/19	A.CH	NEW RELEASE

NT-C1626B

16 CHARACTERS X 2 LINES



ALL DIMENSIONS ARE IN MM. TOLERANCE IS ±0.2 UNLESS OTHERWISE NOTED.



NELY, YOUR SUPPLIER, AND YOUR PARTNER!